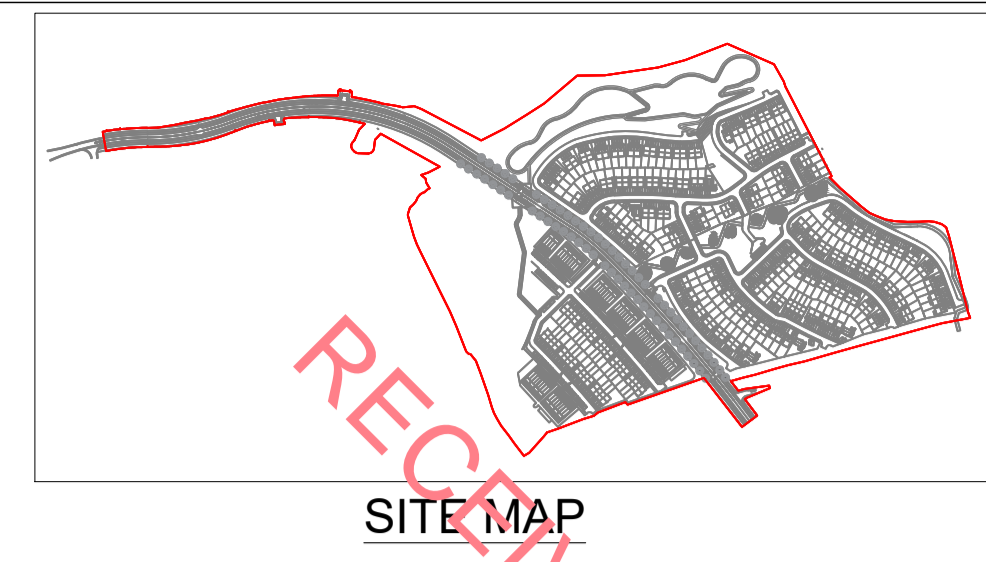


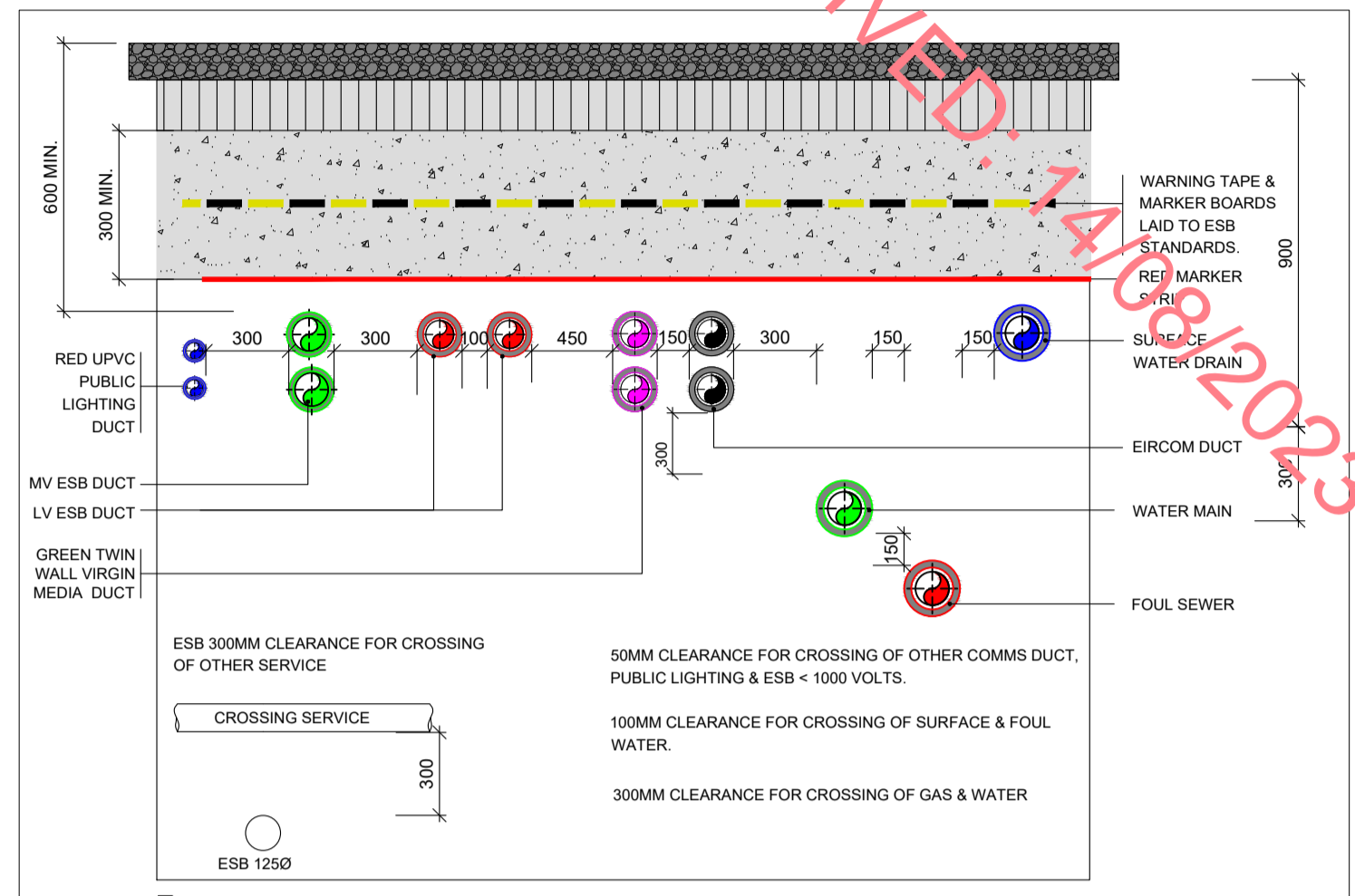


LINK ROAD EXTENSION
SCALE 1:1000

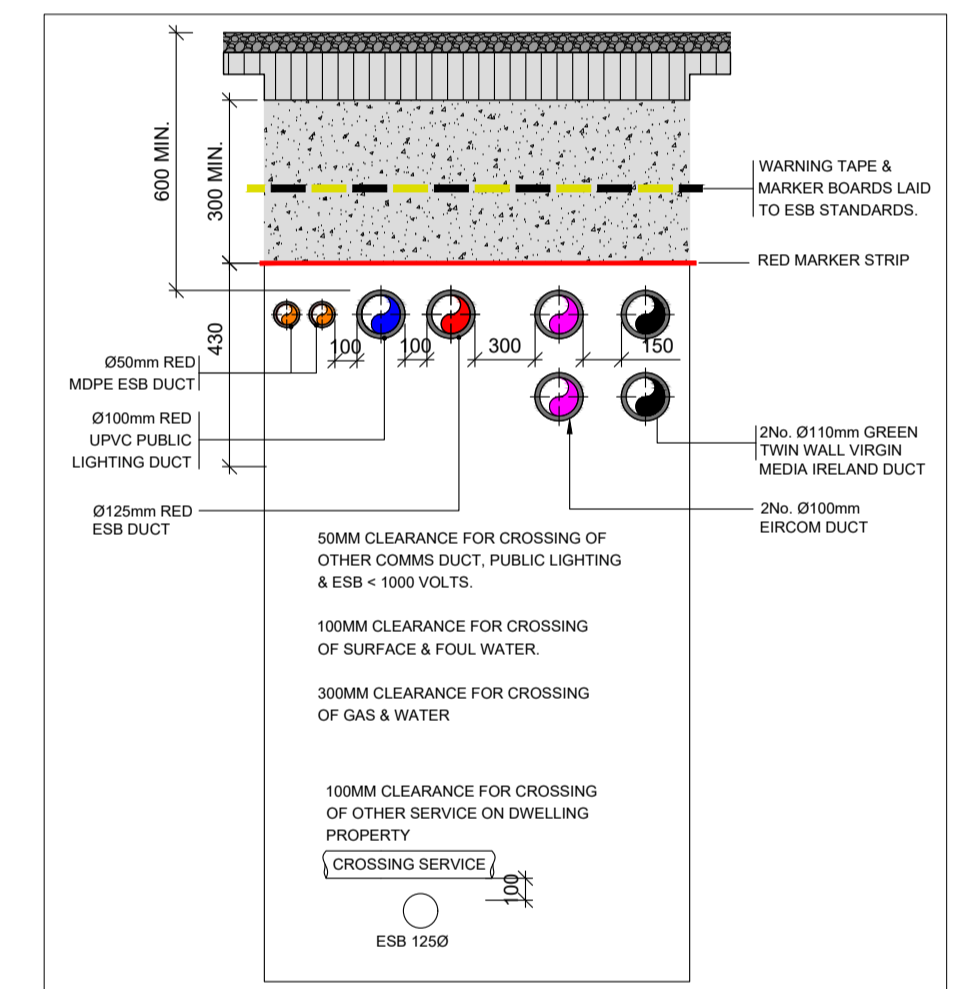
SITE PLAN
SCALE 1:1000



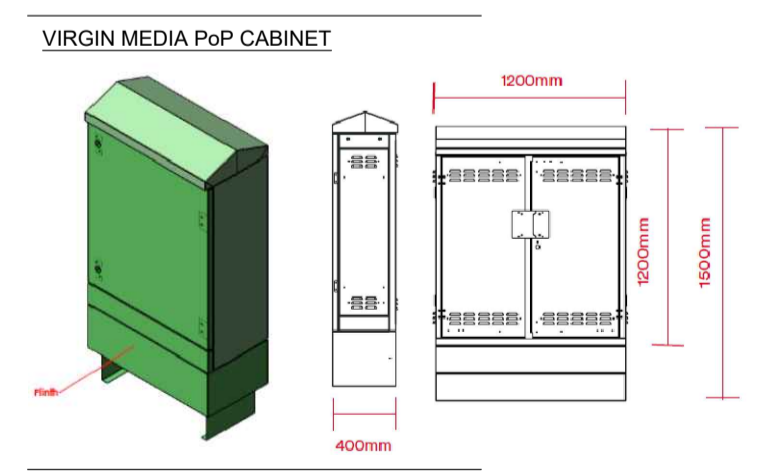
SITE MAP



TYPICAL DUCT INSTALLATION - ROADS



TYPICAL DUCT INSTALLATION - FOOTPATHS & LANDSCAPE



TYPICAL SUBSTATION KIOSK



MINI PILLAR & DUCTING



MINI PILLAR LOCATION



NOTES

1. PMEP SITE SERVICES DRAWING DETAILS SHOWN ARE INDICATIVE OF PROPOSED SITE SERVICES DUCTING & CABLING INFRASTRUCTURE FOR DISCUSSION / COMMENT ONLY.
2. REFER TO UTILITY PROVIDERS DESIGN DRAWINGS FOR EXACT DETAILS OF UTILITY LOCATIONS ARE INCLUDED.
3. COMMS DUCTING TO ENTER THE SITE AT 2 NO. POSITIONS INDICATED AND BE DISTRIBUTED AROUND THE SITE IN DUCTING AS INDICATED. TELECOMMS DUCTING TO BE Ø125mm AND QUANTITIES AS INDICATED ON THE DRAWINGS.
4. ESB MV DUCTING TO ENTER SITE ESB SUBSTATION AS SHOWN AND BE DISTRIBUTED AROUND THE SITE IN MV DUCTING. INSTALL Ø125mm ESB DUCTS BETWEEN LOCAL SUB-STATION AND SWITCH ROOM.
5. QUANTITY OF ESB DUCTS TO BE CONFIRMED BY ESB NETWORKS
6. ALL DUCTING SERVICE CHAMBER LIDS AND TRENCH LIDS USED THROUGHOUT THE SITE CAR PARK, CIRCULATION AREAS & LOADING/UNLOADING AREAS MUST BE SUITABLY RATED TO EN11 STANDARDS AND SUITABLE BEARING WEIGHT OF HGVs.
7. SERVICE CHAMBER LIDS AND TRENCH LIDS DESIGNED FOR PEDESTRIAN ROUTES WILL NOT BE ACCEPTED ON ROADS.
8. REFER TO CIVIL ENGINEERS DRAWINGS FOR FINAL COORDINATION DETAILS INCLUDING SITE LIGHTING LAYOUT AND UTILITY PROVIDER WAYLEAVE/ SLEEVE DRAWING LAYOUTS.
9. ALL EQUIPMENT TO BE SUITABLY IP RATED FOR THE ENVIRONMENT THEY ARE BEING INSTALLED.
10. ESB SUBSTATION KIOSKS TO BE INSTALLED AND CONSTRUCTED IN ACCORDANCE TO THE ESB SPECIFICATION AND REGULATIONS.
11. ALL CHAMBER LIDS MUST BE SUITABLY TRAFFIC RATED FOR LOCATION.

SCHEDULE OF SYMBOLS

- EXISTING ESB OVERHEAD MV LINE
- EXISTING ESB UNDERGROUND MV LINE
- Ø125mm ESB MV DUCTS, Ø50mm RED DUCT TO RESIDENTIAL UNIT
- Ø110mm GREEN TWIN WALL PVC VIRGIN MEDIA DUCTING, Ø50mm DUCT TO RESIDENTIAL UNIT
- Ø110mm EIRCOM DUCTING 110mm DUCT, Ø50mm DUCT TO RESIDENTIAL UNIT
- EXISTING EIRCOM DUCTING
- Ø125mm BLACK DUCT FOR PUBLIC LIGHTING, COLUMNS SERVED FROM ESB MICRO PILLAR 6.0mm SINGLE PHASE ARMOURED CABLES XLPE / SWA / PVC / CU. 8 TO 8 LIGHTS PER CIRCUIT
- ESB SUB STATION
- ESB MINI PILLAR
- PUBLIC LIGHTING MICRO PILLAR
- EIRCOM CHAMBER (JB4)
- VIRGIN MEDIA CHAMBER (FW3)
- VIRGIN MEDIA CHAMBER (FW6)
- SELUX ELO PURE POLE - SX-986 60-9' GOLD, 28W, 24000m, 2700K, CRI>90 MOUNTED ON 3M POLE.
- CREE STREET LIGHT, TRSA-02-SCP-8L30827W, LAMP - 12Du6L27W3K, 0.9 MF, 27W, 3000K, 3930lm, MOUNTED ON 6M POLE.
- CREE STREET LIGHT, TRSA-03-SCP-8L30827W, LAMP - 12Du6L27W3K, 0.9 MF, 27W, 3000K, 3930lm, MOUNTED ON 6M POLE.
- CREE STREET LIGHT, TRSA-02-200-8L30827W, LAMP - 16lu8L27W3K, 0.9 MF, 27W, 3000K, 4220lm, MOUNTED ON 6M POLE.
- CREE STREET LIGHT, TRSA-03-150-8L30854W, LAMP - 16lu8L4W3K, 0.9 MF, 54W, 3000K, 7340lm, MOUNTED ON 8M POLE.
- CREE STREET LIGHT, TRSA-02-PCL-8L30854W, LAMP - 16lu8L4W3K, 0.9 MF, 54W, 3000K, 7340lm, MOUNTED ON 6M POLE.
- CREE STREET LIGHT, TRSA-02-PCR-8L30854W, LAMP - 16lu8L4W3K, 0.9 MF, 54W, 3000K, 7340lm, MOUNTED ON 6M POLE.

P6	ISSUED FOR PLANNING	SK	ST	NP	10/08/23
P5	UPDATED TO SUIT NEW ARCH LAYOUTS	SK	ST	NP	09/08/23
P4	UPDATED TO SUIT NEW ARCH LAYOUTS	SK	ST	NP	11/07/23
P3	UPDATED TO SUIT NEW ARCH & LANDSCAPING	TD	ST	NP	16/06/23
P2	ISSUED FOR PLANNING	TD	ST	NP	15/12/22
P1	PRELIMINARY ISSUE	TD	ST	NP	30/11/22

PMEP
Penston MEP Consulting

1st Floor, Block A, Citywest Shopping Centre, D24

01 2530710
info@pmp.ie

www.pmp.ie

ISO 9001:2015 QUALITY
ISO 45001:2018 HEALTH & SAFETY

CLIENT
KELDRUM LIMITED

ARCHITECT
SCOTT TALLON WALKER ARCHITECTS

PROJECT
**TINAKILLY PHASE II
TINAKILLY
WICKLOW**

DISCIPLINE
MECHANICAL & ELECTRICAL SERVICES INSTALLATION

DRAWING TITLE
SITE SERVICES LAYOUT

DRAWING No. A020-PMEP-00-00-DR-ME-01

SCALE
1:1000@A1
1:2000@A3

REV
P6

